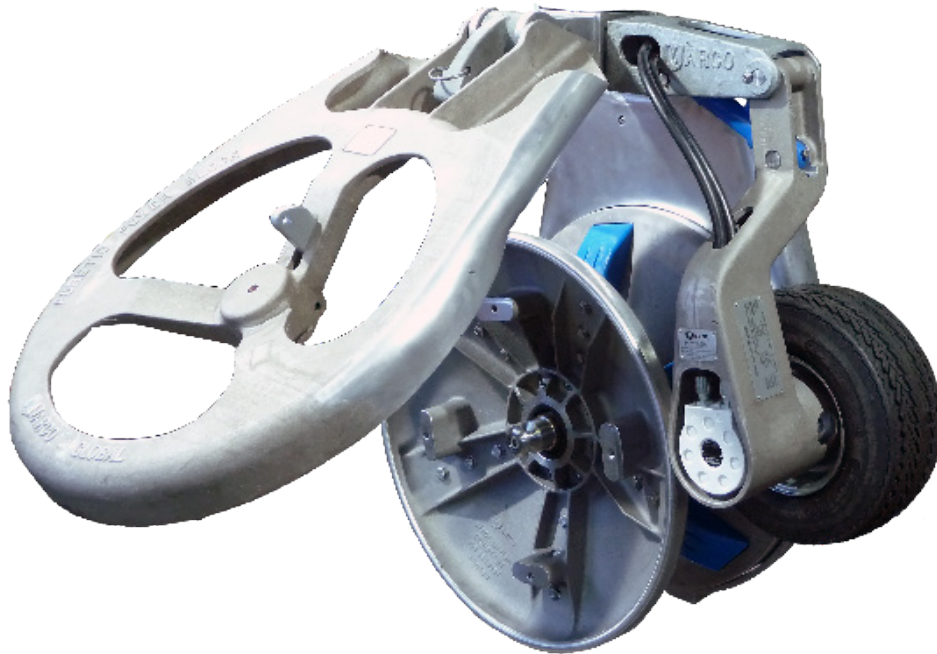




29D PURETIC POWERBLOCK MENHADEN

29D Menhaden Powerblock



Powergrip:

The yoke mounted Powergrip helps keep the net square when hauling, increasing traction and control of the net in rough weather.

Powergrip tire assemblies have galvanized rims for long service life in a saltwater environment and are available in a number of different styles, heights and widths to customize the grip based on your

net size and fishery. Powergrip motors are also marinated for durability.

Hydraulic Motor:

B29 Powerblocks are available with 4 sizes of motors.

We can size the motor to your hydraulic system based on your requirements for speed or pull. All hydraulic motors are now marinated (motor housing is flamesprayed to prevent rust and an extra seal is added to the motor shaft to prevent pitting in the shaft and shaft seal failure) for longer service life.

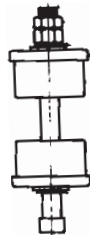
Bolt in Cleated Sheave:

4 different styles of cleats are available to customize your powerblock. Rubber, Aluminum, Low Profile Polyurethane or High Profile Polyurethane.

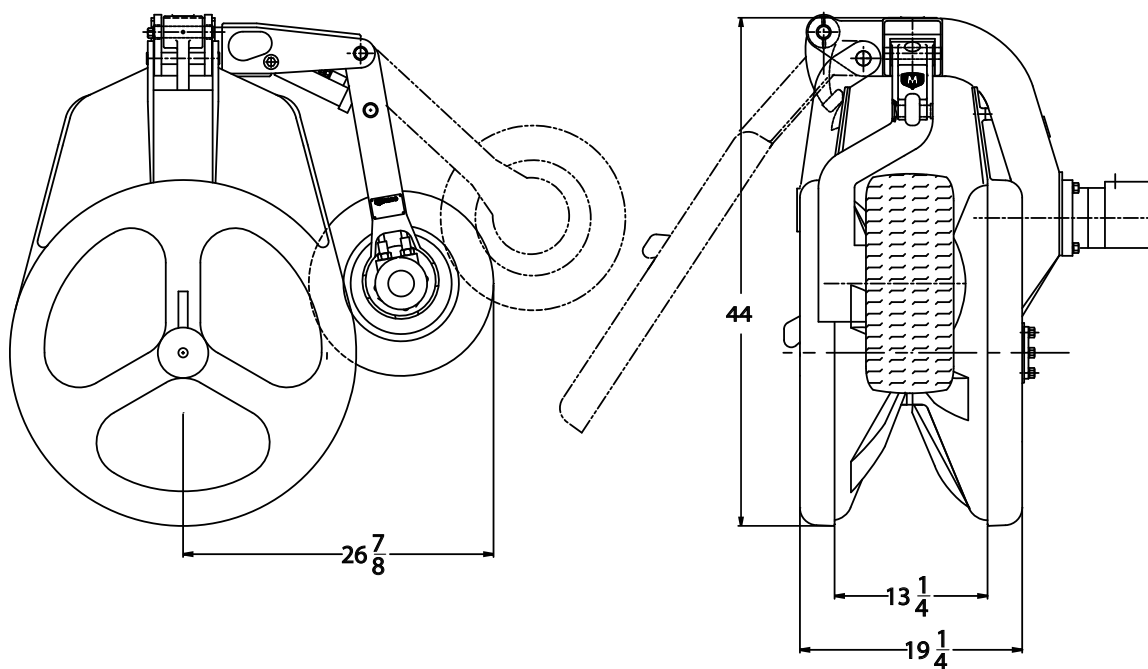
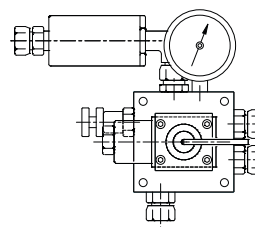


Model	Weight LBS	Height Inches
B29 Plain	425	44
B29 With Powergrip	560	44

Optional Hanger Bolt Assembly
Available with 1 1/4" or 1 3/4" Bolt



Optional Powergrip Control Panel



Model	Sheave Speed		Net Pull @ 1/2 Radius	Hydraulic Oil Input	
	FPM	RPM		Flow GPM	Pressure PSI
B29D - 015 - B9929J-SWL	173	35	4650	20	2000
B29D - 019 - B9929J-SWL	172	35	5870	25	2000
B29D - 024 - B9929J-SWL	176	35	6975	32	2000
B29D - 030 - B9929J-SWL	174	35	8815	40	2000

Sheave capacity is 35 inches of compact net circumference

4259 22nd Ave. W. Seattle, WA 98199
 Phone: (206) 285-3200 Fax: (206) 282-8520
 sales@marcoglobal.com
 www.marcoglobal.com