



B19 PURETIC POWERBLOCK

19 Powerblock

Open sideshell design for quick haulback of interrupted sets.

Powerful torque motor.

Rubber coated sheave with molded raised cleats for positive traction.

Available with Powergrip option or plain.



Powergrip

Less net slippage

Less wear - more efficient hauling for longer sheave life and reduced wear on the net.

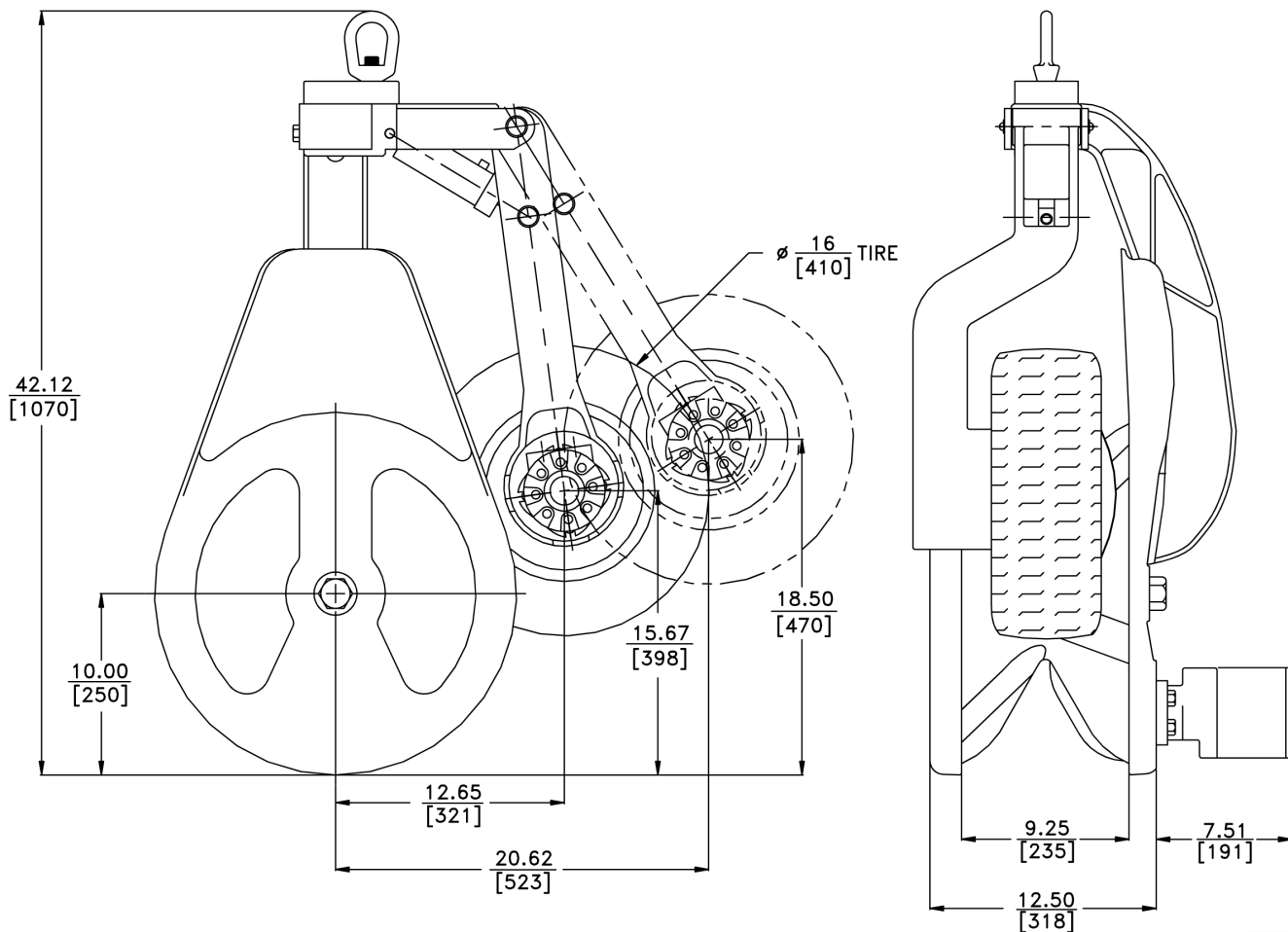
Helps keep the net square when hauling.

Faster net handling during sets - faster hauling = more sets.

Available for retrofit on existing MARCO or other brands of powerblocks.



Model	Weight LBS	Height Inches
B19 No Powergrip	148	41
B19 With Powergrip	220	41



Model	Sheave Speed	Pull in LBS	Input	
	RPM	@ 1/2 Radius	Flow GPM	Pressure PSI
B19E Hydraulic Motor	62	950	15	1500

4259 22nd Ave. W. Seattle, WA 98199
 Phone: (206) 285-3200 Fax: (206) 282-8520
 sales@marcoglobal.com
 www.marcoglobal.com