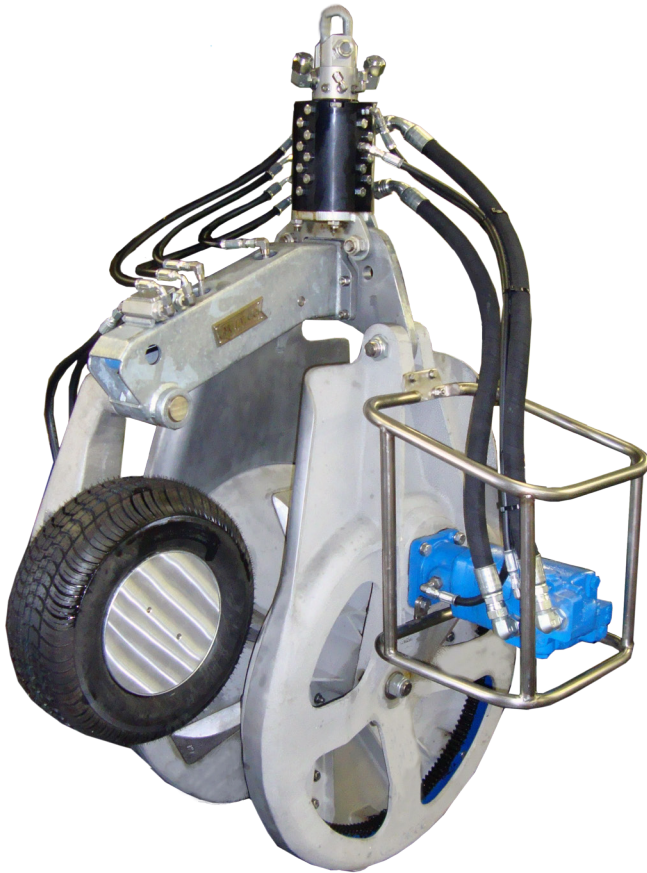




32B-2 PURETIC POWERBLOCK



32B - 2 Powerblock

Hydraulic Motor:

32B Powerblock is available with 2 different sizes of 2 speed motors. Single speed motors are available upon request. Haul at high speed or maximum torque.

All hydraulic motors are now marinized for longer service life.

Exceeding recommended hydraulic flow requirements of hydraulic motor can result in failure of shaft seal and internal damage to the hydraulic motor resulting in premature failure of motor. Maximum recommended hydraulic flow is 45 GPM @ 2000 PSI.

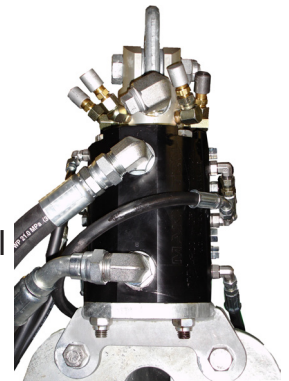
Powergrip:

The yoke mounted Powergrip helps keep the net square when hauling, increasing traction and control of the net in rough weather.

Powergrip tire assemblies have galvanized rims for long service life in a saltwater environment and are available in a number of different styles, heights and widths to customize the grip based on your net size and fishery.

Hydraulic Swivel:

Rotate your powerblock 360 degrees. The load bearing hydraulic swivel option allows the powerblock to easily haul port or starboard without binding the hydraulic hoses.

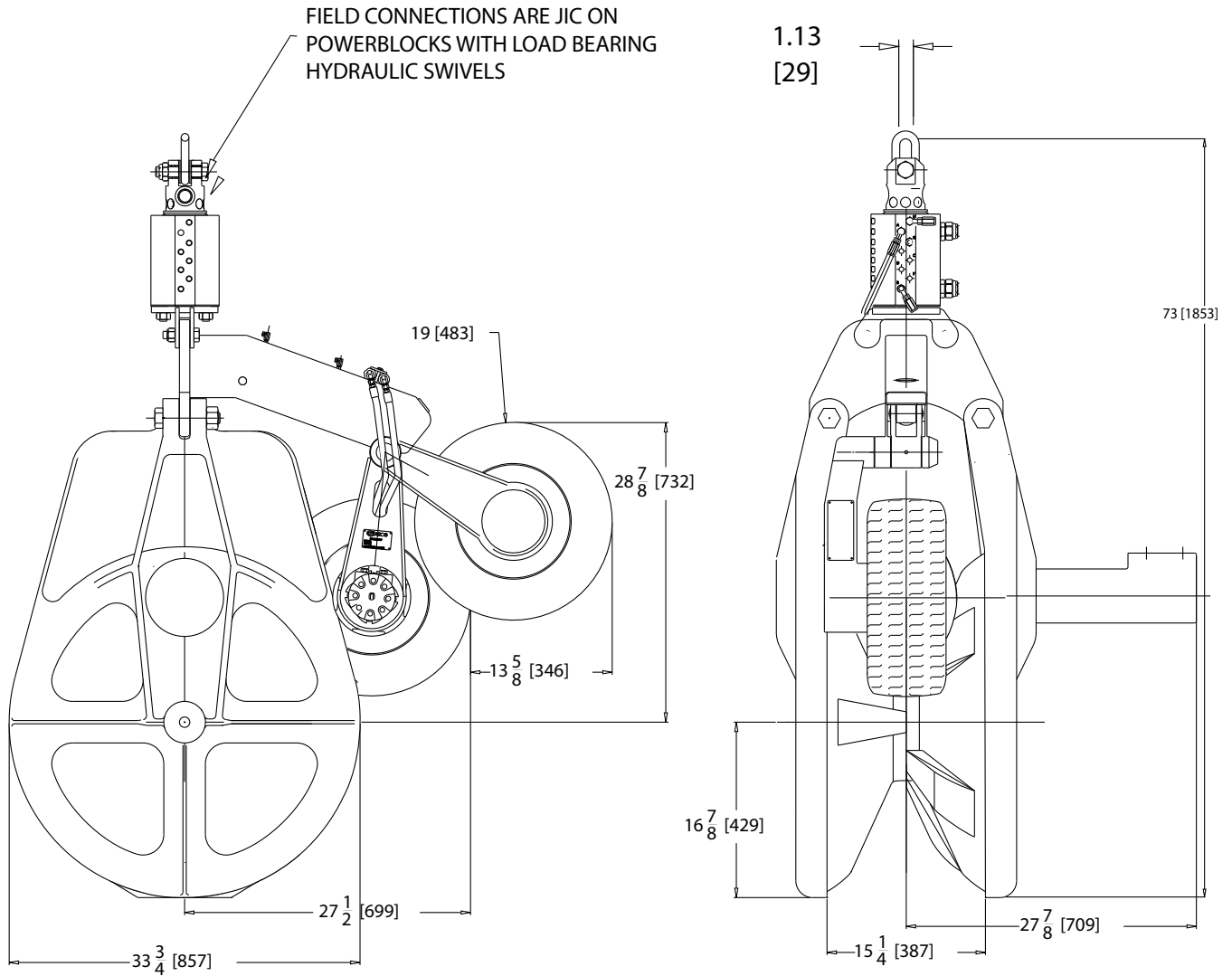


Bolt in Cleated Sheave:

4 different styles of cleats are available to customize your powerblock. Rubber, Aluminum, Low Profile Polyurethane or High Profile Polyurethane.



| Model | Weight LBS | Height Inches |
|-------------------------------|------------|---------------|
| B32B Plain | 610 | 48 |
| B32 With Powergrip | 795 | 56 |
| B32 With Powergrip and Swivel | 905 | 73 |



| Model | Sheave Speed | | Net Pull Lbs @ 1/2 Radius | Hydraulic Oil Input * | |
|-----------------------------|--------------|-----------|------------------------------|-----------------------|--------------|
| | FPM | RPM | | Flow GPM | Pressure PSI |
| B32 - 15/30 / 2 - B9932-SWL | 191L / 376H | 33L / 65H | 7050 / 3340 | 32 | 2000 |
| B32 - 20/40 / 2 - B9932-SWL | 168L / 336H | 29L / 58H | 9500 / 4600 | 40 | 2000 |

***Maximum recommended continuous hydraulic flow is 45 GPM @ 2000 PSI**
Sheave capacity is 38 inches of compact net circumference

4259 22nd Ave. W. Seattle, WA 98199
 Phone: (206) 285-3200 Fax: (206) 282-8520
 sales@marcoglobal.com
 www.marcoglobal.com