



MARINIZED POWERGRIP CONTROL PANEL



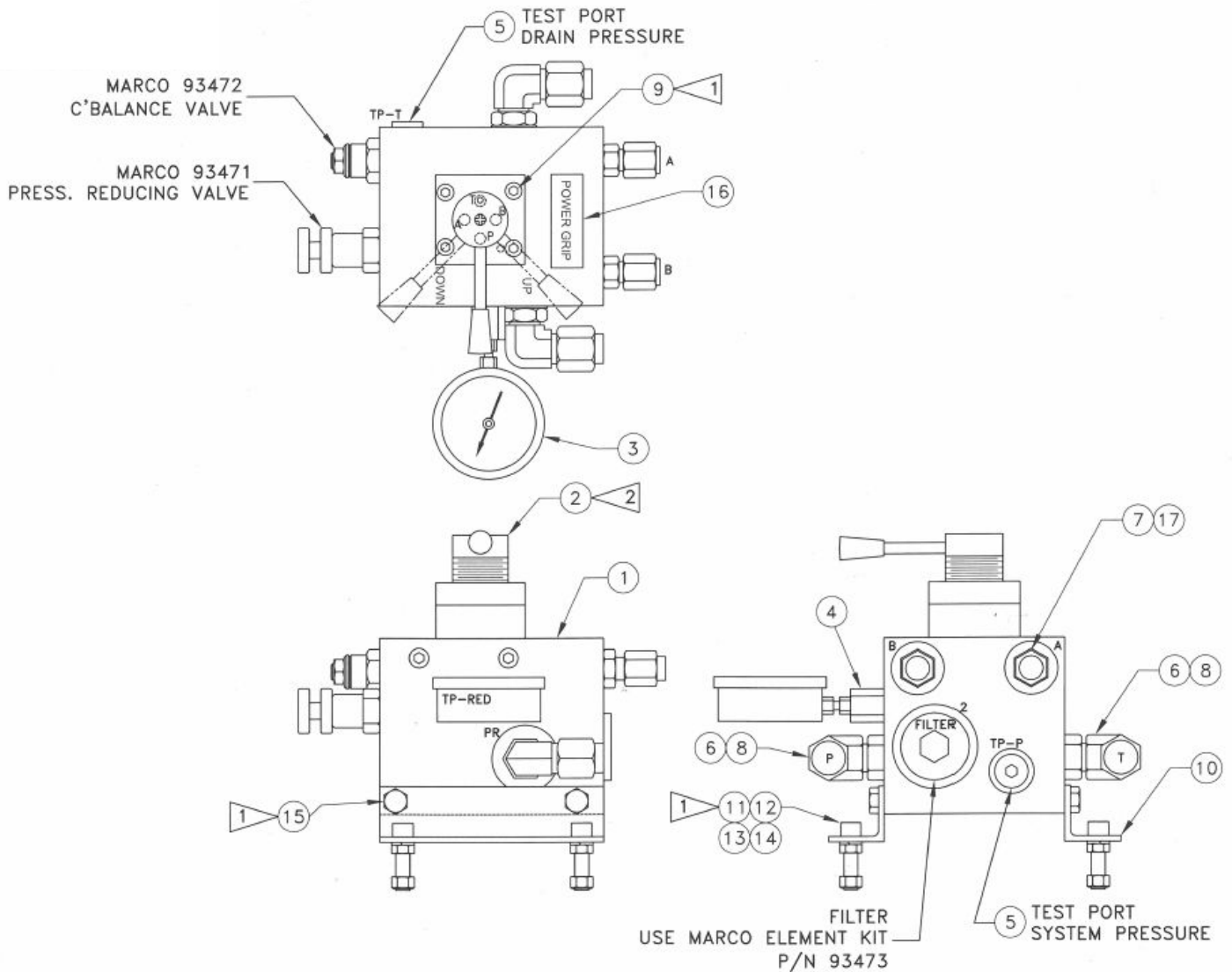
**POWERGRIP CONTROL PANEL
FOR ALL MODELS OF MARCO
POWERBLOCKS.**

71650 CORROSION RESISTANT PANEL

FEATURES:

- Compact Design.
- Corrosion resistant Zinc-Nickel plated reducing pressure valve and counterbalance valve.
- Manifold made of aluminum plate, 6061-T6 mil spec hard anodized.
- Panel mounted pressure guage.
- Pressure filter integrated inside the manifold.
- SAE threads used troughout.
- Stainless Steel JIC fittings.

4259 22nd Ave. W. Seattle, WA 98199
Phone: (206) 285-3200 Fax: (206) 282-8520
sales@marcoglobal.com
www.marcoglobal.com



4259 22nd Ave. W. Seattle, WA 98199
 Phone: (206) 285-3200 Fax: (206) 282-8520
 sales@marcoglobal.com
 www.marcoglobal.com