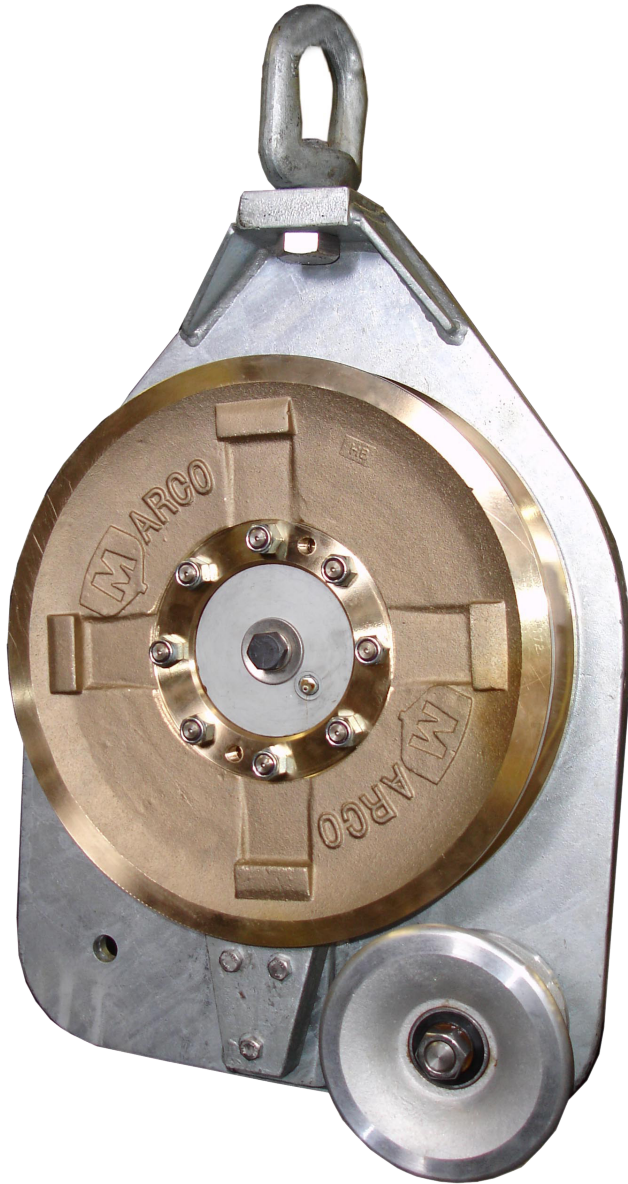


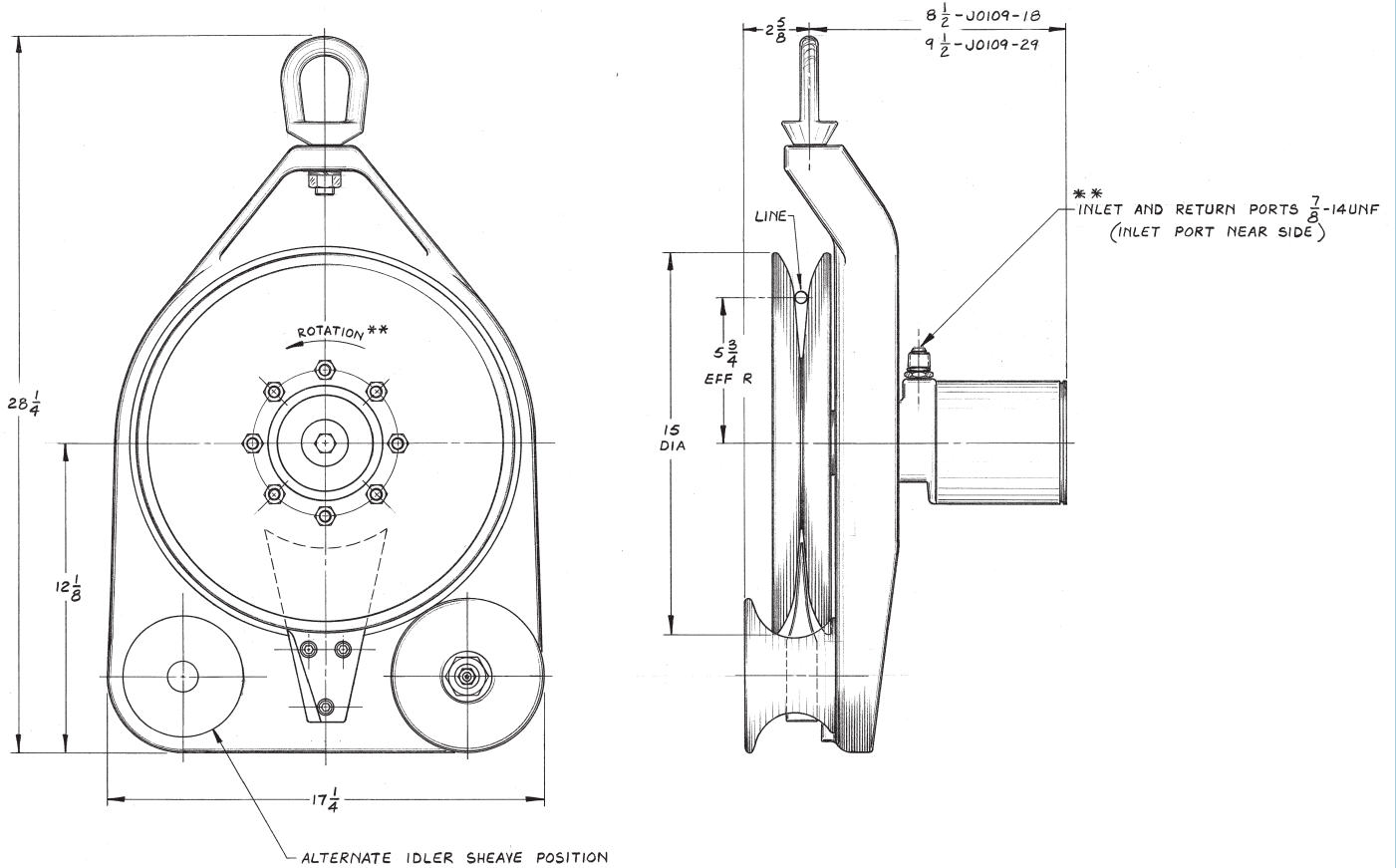


J0109 POT LINE HAULER



Power, Speed and Dependability

- 15" Galvanized Cast Iron or Bronze Sheaves are adjustable with shims for use with 3/8" to 5/8" size line.
- Galvanized fabricated steel frame for increased strength and long service life.
- High torque direct drive hydraulic motor for reduced maintenance.
- Aluminum idler sheave with sealed lubricated ball bearings
- Optional fairlead.
- Optional tailing idler.



Model	Line Pull	Line Speed*	Hydraulic Oil Input	
	LBS	FPM	Flow GPM	Pressure PSI
J0109 - 18	780	760	20	2000
J0109 - 29	1365	450	20	2000

*Performance specifications are for line laying at 11.5" diameter in Sheaves. If line lays at different diameter, performance will be affected proportionately.

Maximum Recommended Line Size is 5/8" diameter. Sheave is adjustable with shims to accommodate line sizes from 3/8" to 5/8"

Construction:	Frame:	Galvanized Steel
	Sheaves:	Bronze or Galvanized Cast Iron
	Idler Sheaves:	Aluminum
	Fairlead:	Galvanized Steel
	Splitter	Galvanized Cast Iron

Weight: 120 Lbs.

4259 22nd Ave. W. Seattle, WA 98199
 Phone: (206) 285-3200 Fax: (206) 282-8520
 sales@marcoglobal.com
 www.marcoglobal.com