

## J0114 KINGHAULER II POT LINE HAULER



24" Stainless Steel or Manganese Bronze sheaves are adjustable with shims for use with 5/8" to 1-1/4" size line.

Galvanized fabricated steel frame for increased strength and long service life.

Low maintenance, sealed, oil lubricated Planetary Gear Drive.

Stainless steel fairlead roller with sealed lubricated ball bearings.

Galvanized fabricated steel fairlead horn.

Adjustable cross port relief valve is a standard option on the block.

Up to 5,000 pounds of line pull.

## Power and Flexibility!

Marco Kinghaulers have been the standard of the demanding King Crab fishery for decades.

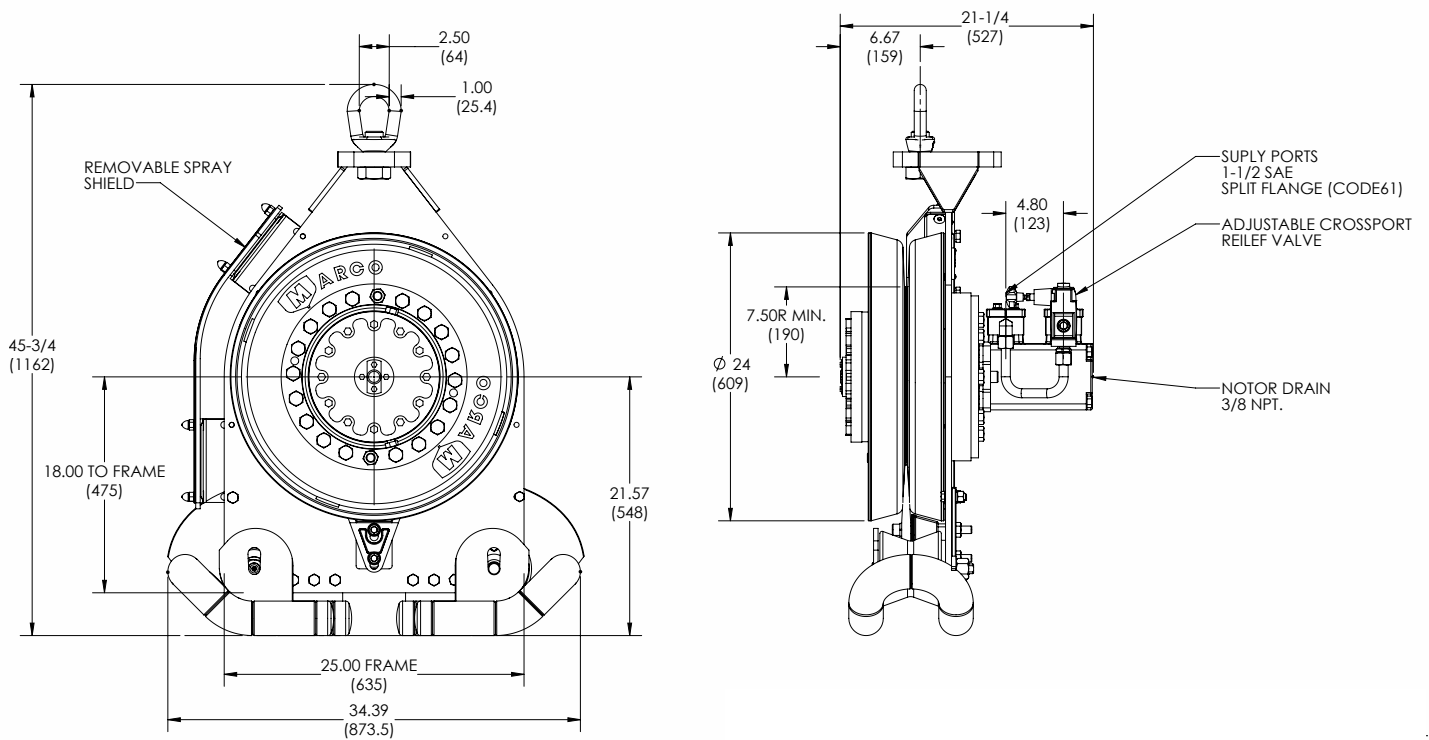
We now have a new model that allows you to choose which components to include in your hauler.

The motor, sheaves, and idlers are the same as the standard kinghauler, so the performance and quality are the same you would expect from a KingHauler.

The basic unit comes with one fairlead horn, no spray guard, and no flamespray treatment on the motor and gearbox.

You can add these additional features at the time of purchase or later.

The spray guard and horns can be bolted to either side of the hauler for port or starboard fishing.



Specifications are based on hydraulic flow of 60 GPM at 2000 PSI

Motor	Torque	RPM	Pull	Velocity	Pull	Velocity
35M80	1510	2550	2580	700	3440	528
35M95	1830	2100	3130	580	4170	435
35M115	2260	1720	3860	475	5150	356
					18:1 Gear Reducer	24:1 Gear Reducer

Maximum Recommended Line Size is 1 1/4" diameter. Sheaves are adjustable with shims to accommodate line sizes from 5/8" to 1 1/4"

Construction:	Frame:	Galvanized Steel
	Sheaves:	Stainless Steel or Manganese Bronze
	Idler Sheaves:	Stainless with Ball Bearings
	Splitter	Stainless Steel
Weight:	820 Lbs.	

## Smith Berger Marine, Inc.

7915 10<sup>th</sup> Ave. S., Seattle, WA 98108 USA

Tel. 206.764.4650 - Toll Free 888.726.1688 - Fax 206.764.4653

E-mail: [sales@smithberger.com](mailto:sales@smithberger.com) - Web: [www.smithberger.com](http://www.smithberger.com)