



PLH17 BOLT ON TOP WINCH

FEATURES

- ▶ Dual Sheave Design
- ▶ No Slippage
- ▶ Easily Passes Splices and Links
- ▶ Backs up Easily Under Tension
- ▶ Up to 4,000 lbs Line Pull
- ▶ Installs on Top of Your Existing Winch
- ▶ Cost Effective
- ▶ Portable

The PLH17 Bolt on Top Purse Winch features a unique dual sheave design which eliminates slippage when pursing.

The line wraps first around the inside sheave, then comes around the outer sheave for a second wrap which takes the slack and maintains traction on the line in the inside sheave.

The extra traction provided by the outer sheave allows the operator to stop and reverse the winch to pay out line under tension.

The dual sheave design also allows splices, knots and even links to pass through the sheaves safely without slippage.

For easy installation the PLH17 bolts on top of your existing Deck Winch

The PLH17 is available with two motor options. Your performance will depend upon the hydraulic flow and pressures your boat can provide.

SAFETY

- ▶ Hands Free Operation



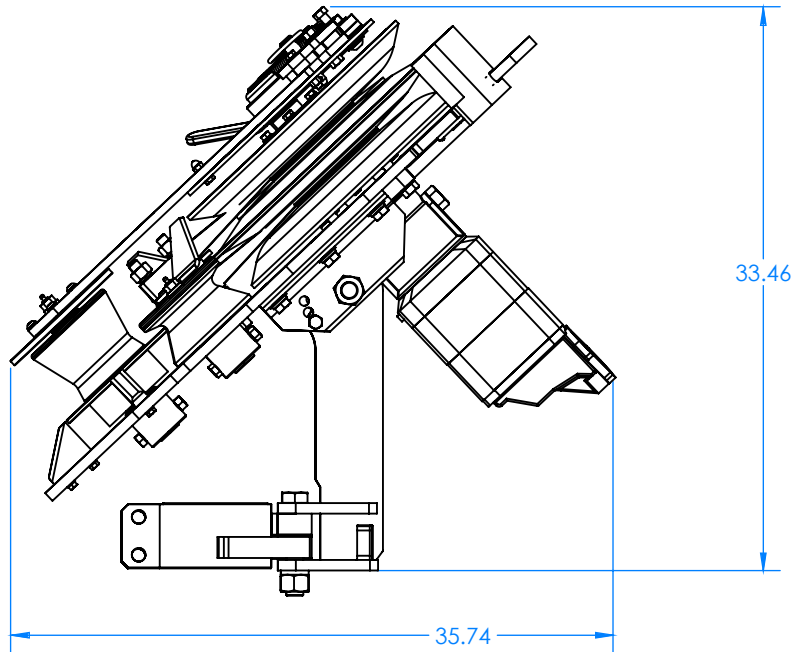
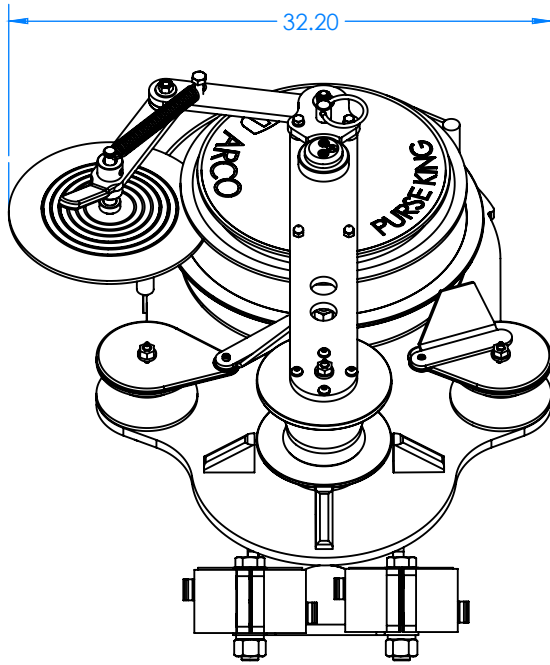
Performance Specifications

Motor	Input Flow	Pull	Line Speed
	GPM	(in Pounds)	Feet Per Minute
40 CID	30	3000	360
57 CID	40	4000	336

4259 22nd Ave. W. Seattle, WA 98199
Ph: (206) 285-3200
email: sales@marcoglobal.com
www.marcoglobal.com



PLH17 BOLT ON TOP WINCH



4259 22nd Ave. W. Seattle, WA 98199
Phone: (206) 285-3200 Fax: (206) 282-8520
sales@marcoglobal.com
www.marcoglobal.com