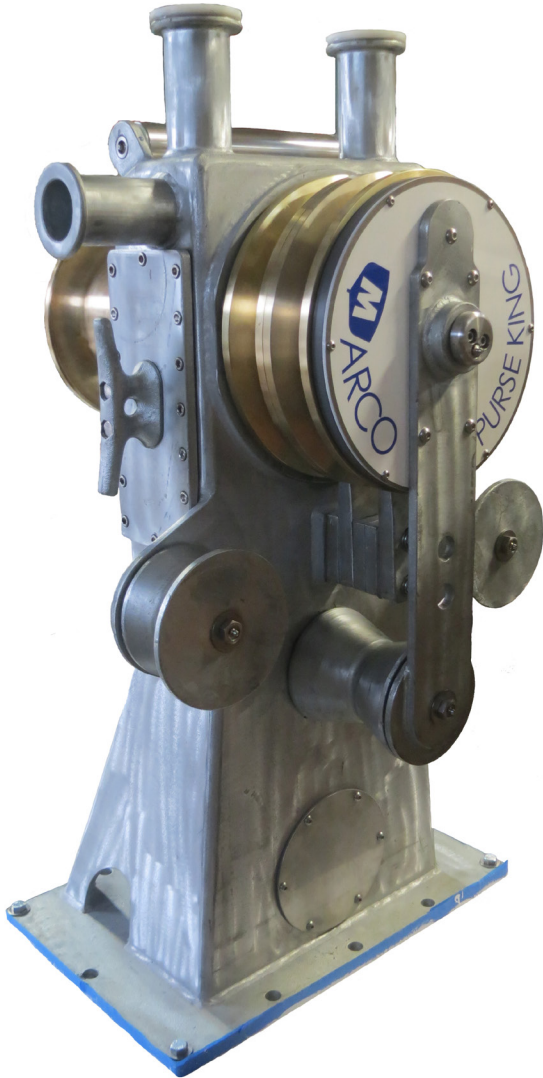




PKW15 PURSE WINCH



FEATURES

- ▶ Dual Sheave Design
- ▶ No Slippage
- ▶ Easily Passes Splices and Links
- ▶ Backs up Easily Under Tension
- ▶ Up to 5,000 lbs Line Pull
- ▶ Single Capstan
- ▶ Optional Line Transporter
- ▶ For Smaller Salmon Seiners

SAFETY

- ▶ Hands Free Operation
- ▶ E-STOP Emergency Shut Off Switch.

The PKW15 Purse Winch features a unique dual sheave design which eliminates slippage when pursing.

The line wraps first around the inside sheave, then comes around the outer sheave for a second wrap which takes the slack and maintains traction on the line in the inside sheave.

The extra traction provided by the outer sheave allows the operator to stop and reverse the winch to safely pay out line under tension.

The dual sheave design also allows splices, knots and even links to pass through the sheaves safely without slippage.

For further safety the PKW15 features an E-STOP emergency shut off switch on the top horn.

The back side of the winch features a 9" capstan.

The PKW15 is available with three motor options. Your performance will depend upon the hydraulic flow and pressures your boat can provide.

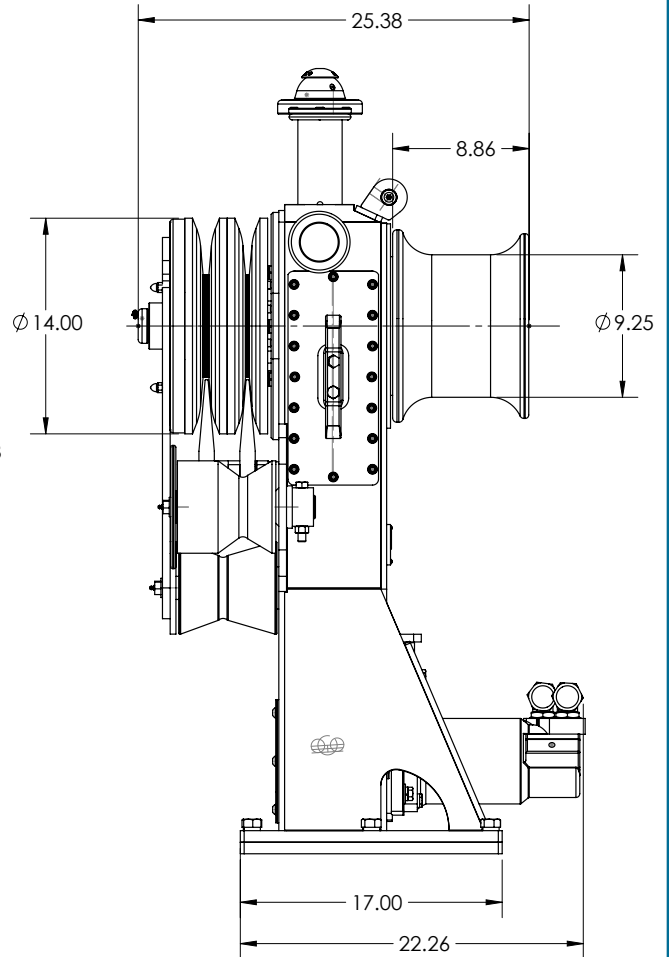
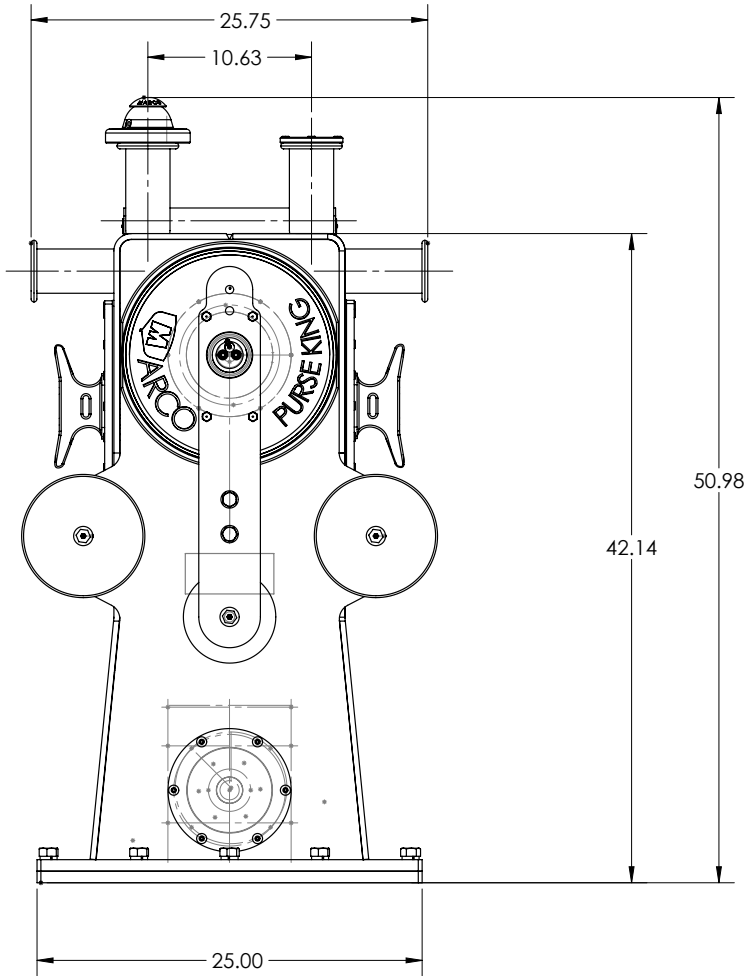
Performance Specifications

Motor	Input Flow	Pull	Line Speed
	GPM	(in Pounds)	Feet Per Minute
19 CID	20	3,200	180
24 CID	30	3,900	198
30 CID	40	5,000	186

4259 22nd Ave. W. Seattle, WA 98199
Ph: (206) 285-3200
email: sales@marcoglobal.com
www.marcoglobal.com



PKW15 PURSE WINCH



Weight: 1,000 lbs

4259 22nd Ave. W. Seattle, WA 98199
Phone: (206) 285-3200 Fax: (206) 282-8520
sales@marcoglobal.com
www.marcoglobal.com