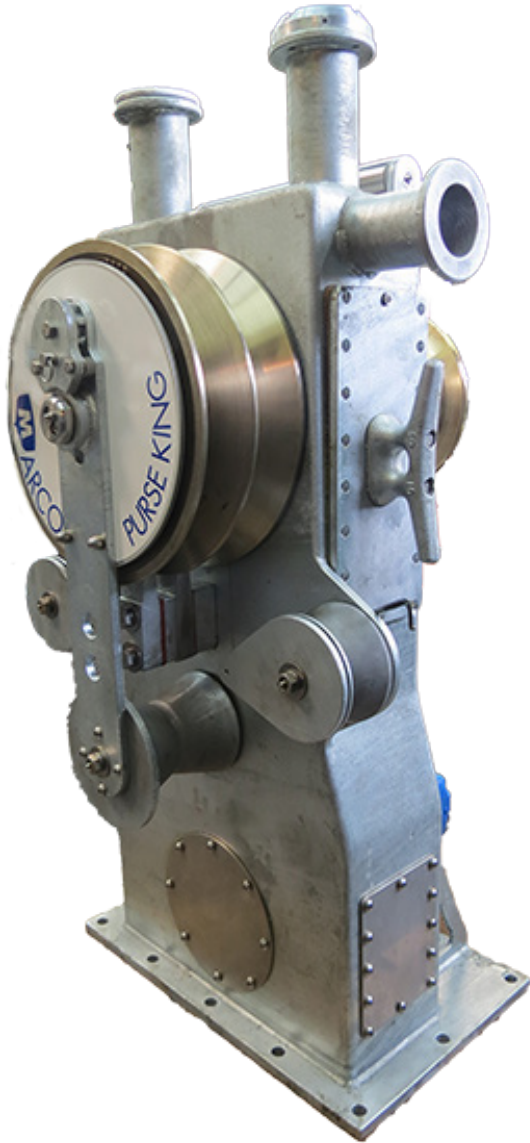


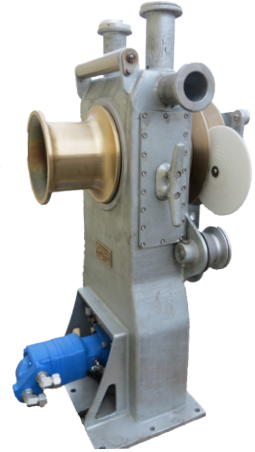


# PKW17 PURSE WINCH



## FEATURES

- ▶ Dual Sheave Design
- ▶ No Slippage
- ▶ Easily Passes Splices and Links
- ▶ Backs up Easily Under Tension
- ▶ Up to 8,000 lbs Line Pull
- ▶ Single Capstan
- ▶ Optional Line Transporter
- ▶ Ideal Salmon Winch for Larger Vessels



## SAFETY

- ▶ Hands Free Operation

The PKW17 Purse Winch features a unique dual sheave design which eliminates slippage when pursing.

The line wraps first around the inside sheave, then comes around the outer sheave for a second wrap which takes the slack and maintains traction on the line in the inside sheave.

The extra traction provided by the outer sheave allows the operator to stop and reverse the winch to safely pay out line under tension.

The dual sheave design also allows splices, knots and even links to pass through the sheaves safely without slippage.

For further safety the PKW17 features an E-STOP emergency shut off switch on the top horn.

The back side of the winch features a 9" capstan.

The PKW17 is available with three motor options. Your performance will depend upon the hydraulic flow and pressures your boat can provide.

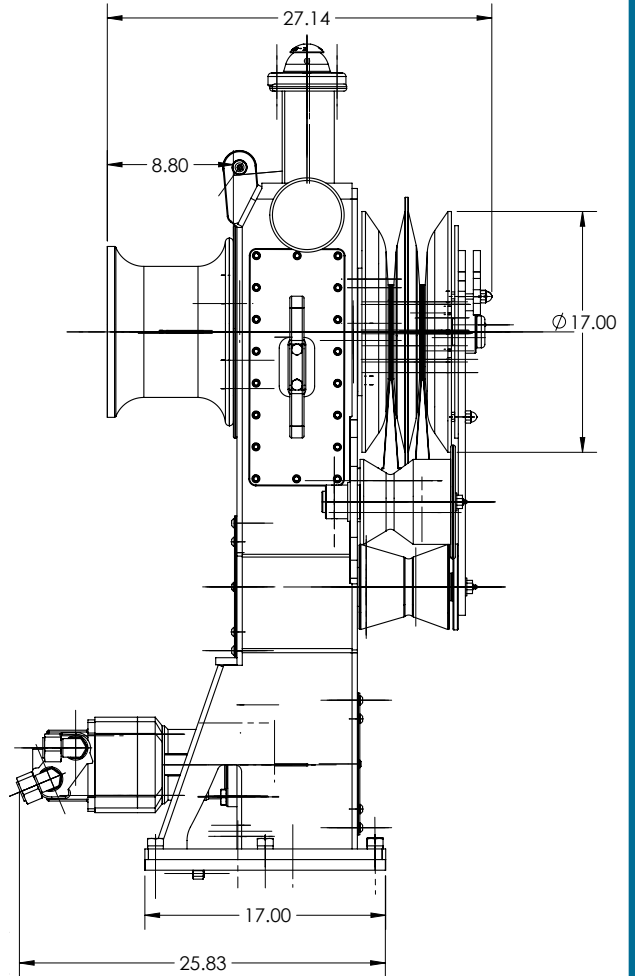
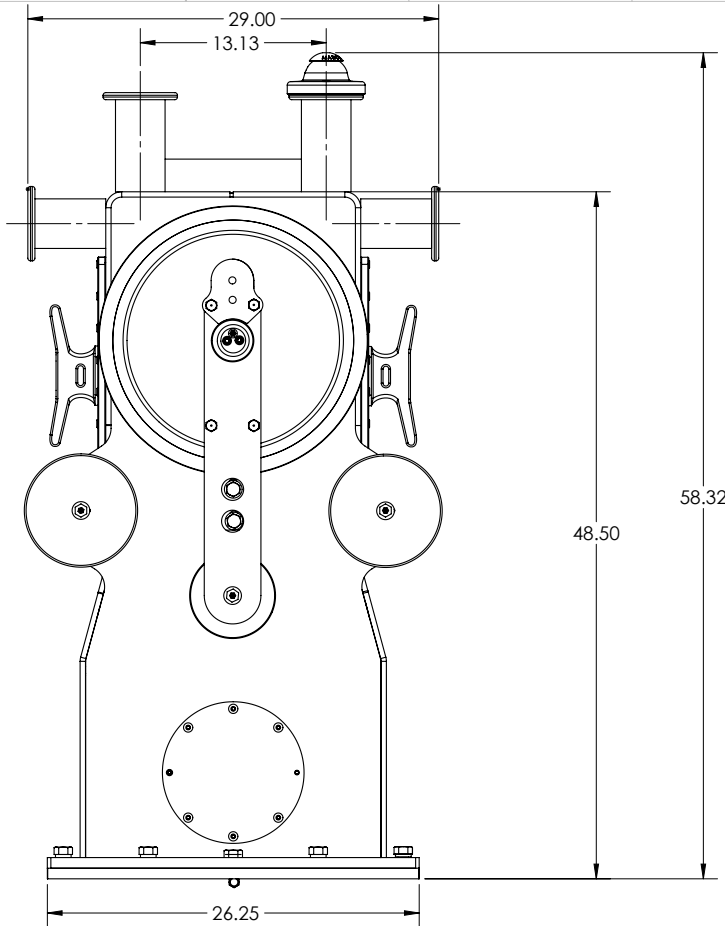
## Performance Specifications

Motor	Input Flow	Pull	Line Speed
	GPM	(in Pounds)	Feet Per Minute
21 CID	20	4,137	156
29 CID	30	5,831	168
40 CID	40	8,232	162

4259 22nd Ave. W. Seattle, WA 98199  
Ph: (206) 285-3200  
email: [sales@marcoglobal.com](mailto:sales@marcoglobal.com)  
[www.marcoglobal.com](http://www.marcoglobal.com)



# PKW17 PURSE WINCH



Weight: 1,275 lbs

4259 22nd Ave. W. Seattle, WA 98199  
Phone: (206) 285-3200 Fax: (206) 282-8520  
sales@marcoglobal.com  
www.marcoglobal.com